

STRIKER CAM3 ETZ

www.lbtpro.com / info@lbtpro.com

- LED Qty : 14x5W
- Max Power - 70W
- IP65

WATER PROOF 

LED 

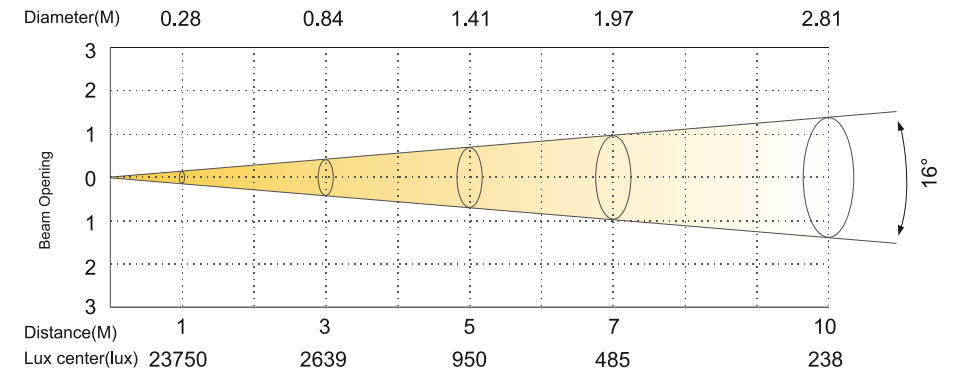


STRIKER CAM3 ETZ

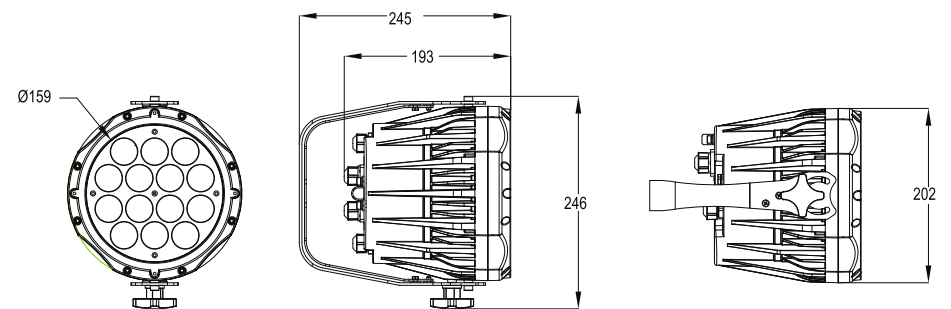
TECHNICAL PARAMETERS

- ◆ LED Qty - 14x5w(RGBW)
- ◆ Driver Current - 350mA
- ◆ Max Power - 70W
- ◆ Control
PersonalityTour/TR16/AR1.D/AR1.S/HSV(9CHS/13CHS/3CHS/4CHS/5C HS/3CHS)
- ◆ Optics - 16°
- ◆ Dimensions - 245 x 205 x 245mm
- ◆ Weight - 4.8kg
- ◆ Housing - Die-Cast Aluminum
- ◆ Colour - Black
- ◆ Enviroment - SS358XCE-Dry Location,SS358ET-Dry/Damp/Wet Location/IP66 (With LED Display Cover Installed). SS358XCEM : IP Power Socket, IP DMX XLR IP65

ILLUMINANCE AT DISTANCE



DIMENSIONS



AC100-240 V, 50/60HZ	Display for Auto and Custom control	0~20Hz Strobe	DMX512 Control Protocol	DMX in/out Power in/out Fixture Connection	0-100%(16-bit) Dimmer	Convection Cooling	CE/CETL Certification	-20°C ~ 45°C Operation Temperature
----------------------	-------------------------------------	---------------	-------------------------	--	-----------------------	--------------------	-----------------------	------------------------------------