

# ORBITER HYBRID-L

www.lbtpro.com / info@lbtpro.com

- Lamp OSRAM SIRIUS HRI 470W
- CMY mixing system
- Maximum Power 650W

**NEW**



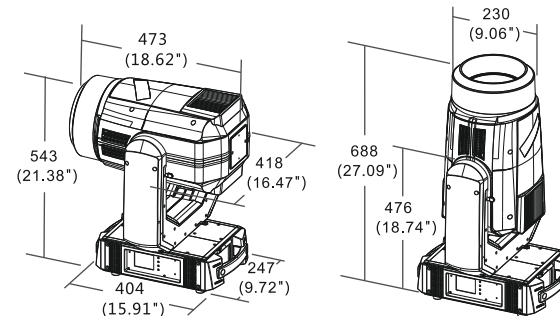



Light Source	
light source	OSRAM SIRIUS HRI 470W / long life (optional)
color temperature	7500K
Electrical Parametets	
Input voltage/frequency	AC100-240V/50-60Hz
Maximum power	650W
Product Features	
Channel Mode	39/34 DMX Channels
Color wheel - 1 white light + 13 colors, color half-color rainbow effect, can be anywhere	
Fixed gobo	1 white light + 14 patterns of fixed disk, with running water
Rotating gobo wheel	1 rotating disk with 9 patterns + 1 white light, with index function
Effects Palette	1, fast and slow rotation
CMY	CMY Promise Color Mixing
Display method	2.8 -inch color touch screen, Chinese and English menus, with automatic flip function
way to control	International standard DMX512 signal, with DMX software upgrade function

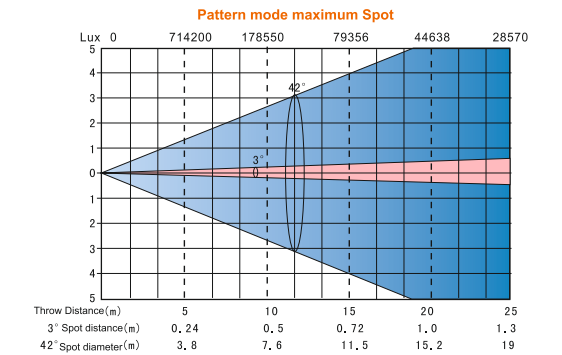
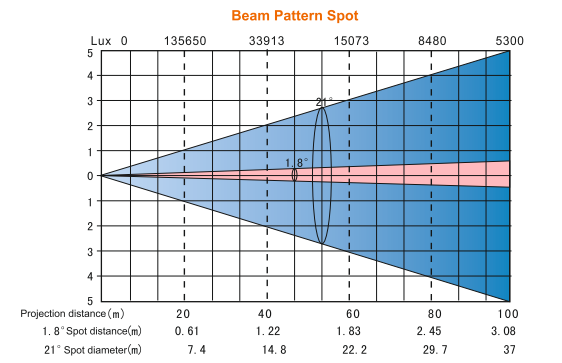
Optical Properties	
zoom range	Pattern Mode: 3-42°, Beam Mode: 1.8-21°
Gobo size	Outer diameter 15.8mm Inner diameter: 12.2mm
CRI	Special function , 80 or 90 adjustment

Physical Properties	
Dimensions	Length (mm) 418 Width (mm) 247 Height (mm) 688
weight	Gross weight (kg) 31 Net weight (kg) 25

Safety and Protection	
Overheating protection	thermal control
IP rating	Ip20
weight	Gross weight (kg) 31 Net weight (kg) 25



Multifunctional moving head computer light integrating beam, pattern and dyeing, bright and sharp parallel beam, excellent pattern projection, precise movement and positioning, double-layer atomization, more uniform coloring, smooth and accurate CMY mixing system and The extremely delicate dimming curve unleashes extraordinary creativity.



<b>FIXED GOBO</b>	<b>FIXED GOBO WHEEL</b>	<b>EFFECTS PALETTE</b>