

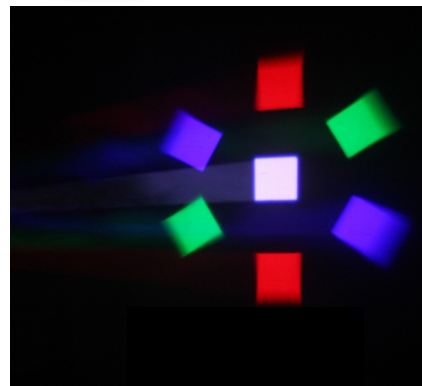
LED 7x40W

www.lbtpro.com / info@lbtpro.com

- 7x40W RGBW 4in1 LED
2500-8000K
- Color Temperature
- 4° - 60° Beam Angle



NEW



Optics

Light Source : 7x40W RGBW 4 IN 1 LED
Color Temperature : 2500-8000K
Rendering Index : 80
Light Source Lifespan : >50000 Hours
Beam Angle : 4°-60°

Effects

X-AXIS : 540°+16 Bit Fine
Y-AXIS : 270°+16 Bit Fine
Colour System : RGBW
Focus : 0-100% Electric Focus
Strobe : 0-25HZ

Mode

Operate Mode : DMX512, Sound-Activated, Master/Slave, Voice Control, RDM
DMX Channel : 23/35/51 Ch.
Display : 2.4 Inch Color Screen, Touch

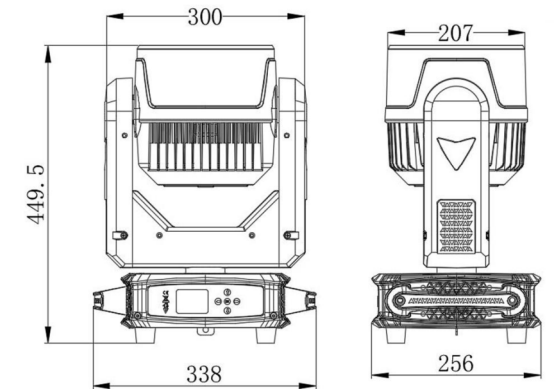
Physical Property

Size : 338x256x449.5 mm
Cooling System : Low Noise Fan
 Temperature Controlled Head Dissipation
Standard : Power Cable x 1, DMX Cable x 1, Safety Rope x 1, Folding Clamp x 2

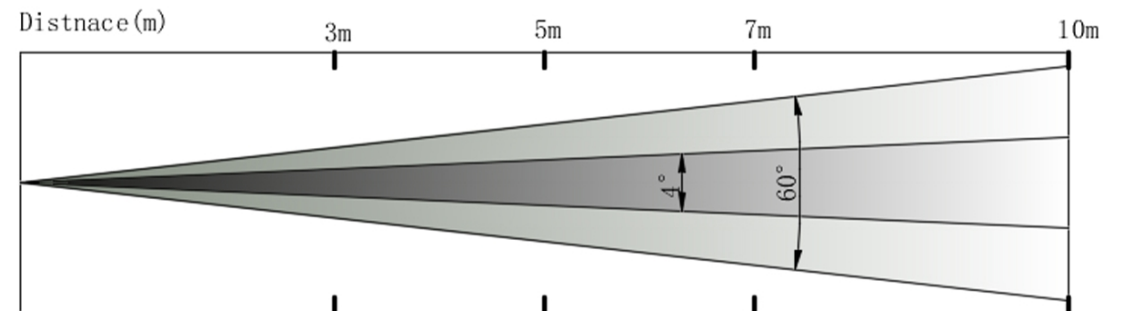
Power Supply

Input Voltage : 100-240V, 50/60HZ
Power Connection : Powercon Power Input/Output
Signal Connection : 3 Pin/5 Pin DMX Input/Output
Power Consumption: 300W
Power Factor : PFC>0.95
Work Environment : -10°C~45°C

Size



Illuminance at Distance



Distance (m)	3m	5m	7m	10m
4° LUX	130000	59930	36920	13650
Diameter (m)	0.235	0.392	0.55	0.785
60° LUX	7410	3510	2395	780
Diameter (m)	2.48	4.14	5.8	8.3