

MEDIA FACADE (Pro Series)

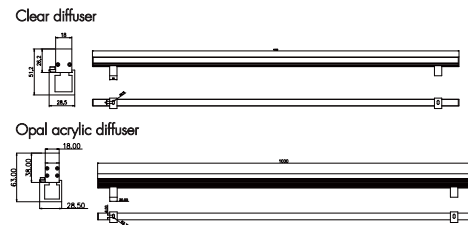


MEDIA FACADE LINEAR BAR ARCHITECTURAL LIGHTING

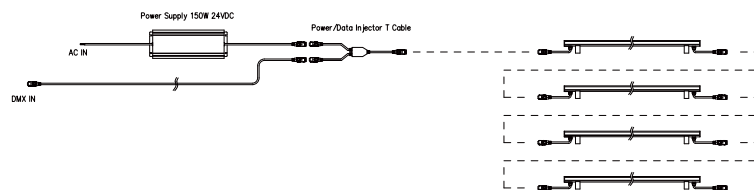
Mounting Instructions

- Step 1: Attach Brackets to the mounting surface with appropriate fasteners (ie: wood screws for wood).
- Step 2: Loosen the two screws that secure the Bracket Lock on each Mounting Bracket.
- Step 3: Slide the Bar into the fixed channel side of the bracket.
- Step 4: Rotate the Magic Linear Bar down so it rests on the surface of the bracket and tighten down the Bracket Lock using the Hex Wrench provided.

DIMENSION



WIRING DIAGRAM



Length

305mm 610mm 915mm 1220mm 500mm 1000mm

Long distance power supply

Save 40% power with more efficient power management design. With wide voltage range design, LED color always keep same brightness after long distance power supply.

LifeTime

Apply solid capacitor and other good brand components on PCB for long life time. We used Top Brand Silicone for better heat conduction, strong temperature withstand and perfect waterproof performance.

Control

Standard DMX512 control protocol (Max 44 frames/second).

The communication between fittings are synchronized perfectly under support of Colordreamer ArtNet Controller.

Protection

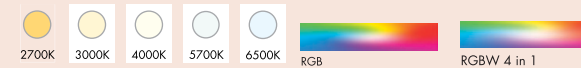
Lightning and ESD Protection.

Electrical Protections: short circuit, over current, over voltage and over temperature.

ORDERING INFORMATION

Product	Diffuser	Width	Length	LED QTY	LED Color
L	M	18	100	96	03
DMX Linear Bar	C. Clear Diffuser M. Acrylic Square Diffuser	18mm Wide	030 305mm 060 610mm 090 915mm 120 1220mm 050 500mm 100 1000mm	18 LEDs 36 LEDs 54 LEDs 72 LEDs 30 LEDs 60 LEDs	01 White 03 RGB 04 RGBW

COLORS



LED

LED Source SMD3535
LED QTY 60pcs
Beam Angle 120°

ELECTRICAL

Input voltage 24VDC
power consumption 12W per meter

CONTROL

Protocol ON/OFF DMX512
Pixels 1 pixel per meter 5 pixel per meter 10 pixel per meter 20 pixel per meter
Addressing options Auto/Manual addressing

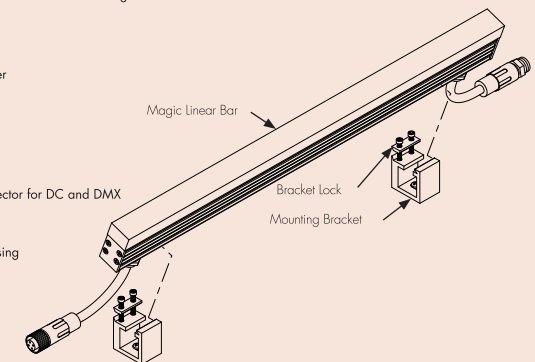
PHYSICAL

Housing Material Aluminium
Finish Black/White/Silver
Lens Clear/Opal/Black
Mounting Options Surface mount
Luminaire Connection 4PIN cable with screw lock connector for DC and DMX

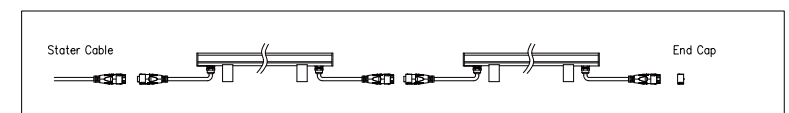
ENVIRONMENT

Operating Temperature -30° to 60° Humidity 0-95%, non-condensing
Startup Temperature -30° to 60° IP Outdoor IP66
Storage Temperature -40° to 80°

CERTIFICATE



LUMINAIRE INTERCONNECTION



Maximum Run Lengths

	8W per meter	10W per meter	12W per meter
24VDC	up to 18meter	up to 14meter	up to 12meter