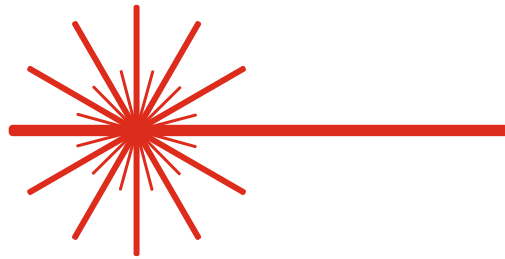


LASER SUPER BEAM

www.lbtpro.com / info@lbtpro.com

- 260w Laser
- Waterproof
- Unbeatable
83500 LUX @ 50 Mtrs



WATER PROOF



NEW



Product Introduction

LASER SUPER BEAM is a 260W laser light source waterproof beam moving head light. 230mm super large light-emitting lens, 1° extremely narrow beam angle, close to parallel beam, beam diameter is only 0.87 meters at a distance of 100 meters and the illuminance is about 20000lux. The beam is stronger and sharp edges and the beam formed by high-efficiency optics is like a bright beam. It is suitable for urban landscape, cultural tourism lighting, concerts, theme parks and other places.

Product Parameters

Optical system	Appearance	Electrical Specs
Light source 260W Laser	Size 416x358x712mm	Voltage AC100-240V, 50/60Hz
Angle 1°	Weight 39kg	Max. Power 380W
	Casing Flame-retardant plastic (V0)	Power Connection power in
	Die-cast aluminum	Signal socketer 3pin or 5pin in and out, RJ45 in and out
	Color Black	

Control System

Pan/Tilt rotation 540°/270°(8-16bit)	Display On Board Control, Custom Mode, 0-25Hz Strobe
Dimmer 0-100%16Bit	Con Personality STANDARD/BASIC/EXTEND
Cooling Forced Convection	
Control DMX512, RDM, ARTNET, SACN, W-DMX (optional), Web Server	

Effect Synthetic System

Static Gobo Static gobo wheel (29 gobos+white)	Prism One 8 prism, One 24 prism, bidirectional rotating, speed can be adjusted
Colors One color wheel (19 color+white, rainbow-flow effect)	Focus Motorized linear focus
CTO 3000K-8000K motorized CTO	

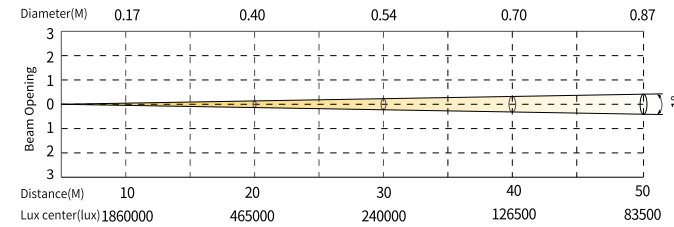
Certification

CE

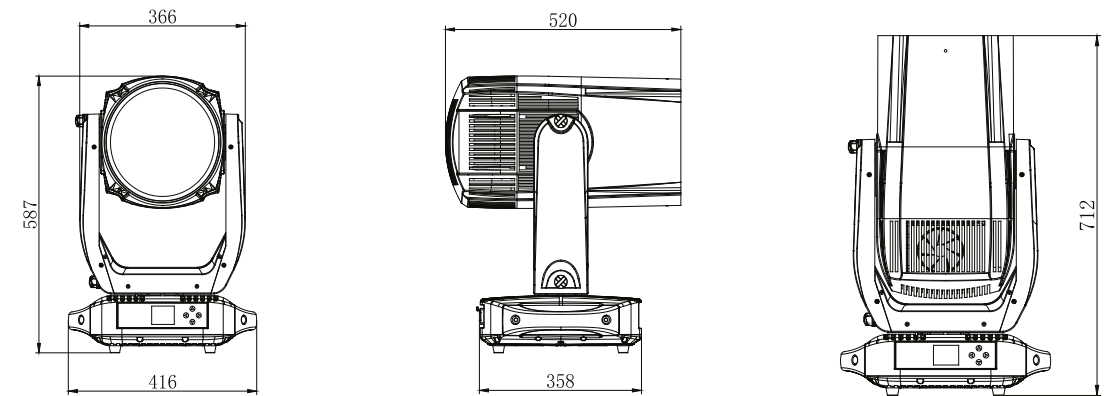
Work Environment

Ambient Temp -20°C-45°C
IP Rated IP65

Illuminance at Distance



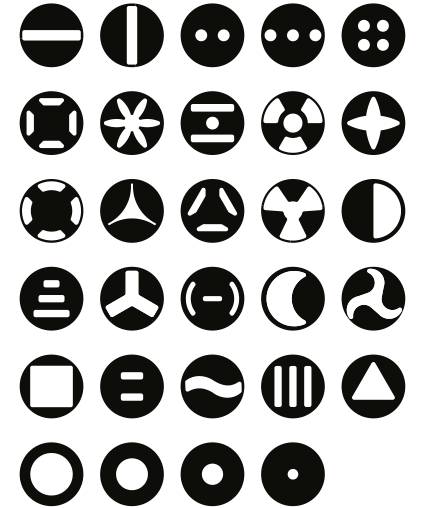
Dimensions



Unbeatable
83500 LUX
@ 50Mtrs.

Long Life Laser Source

Static Gobos



Color

